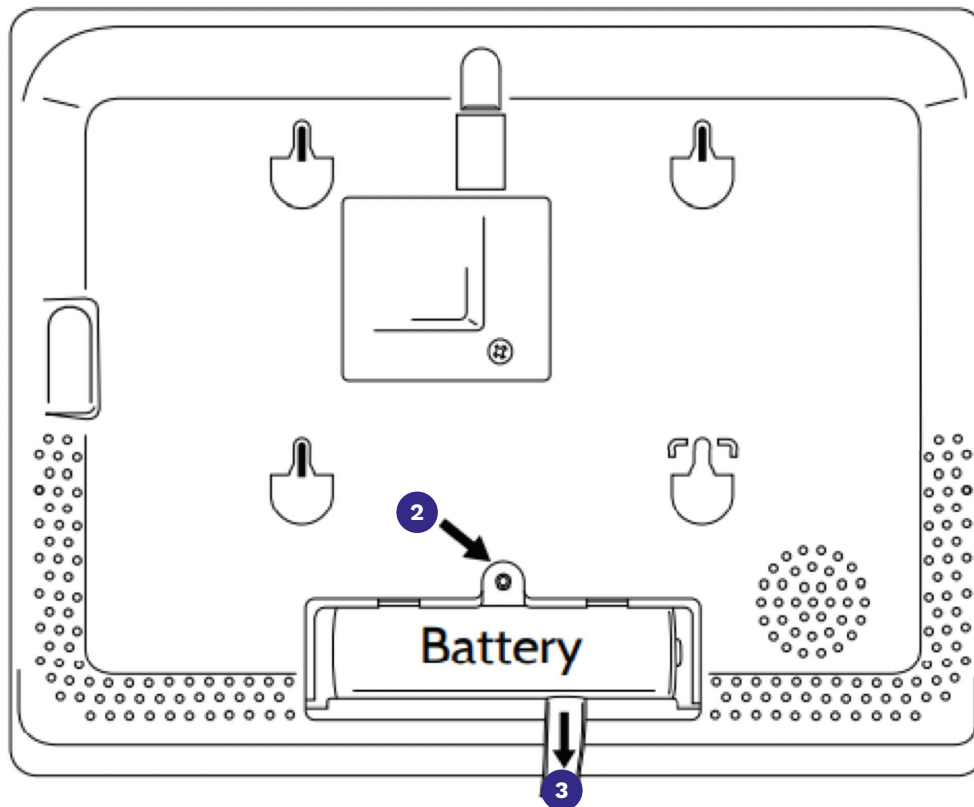


Battery Replacement Instructions for IQ Hub Panel

1. **Power down panel:** Go to Advanced Settings and enter the Installer/Dealer/Master code, then select “**Power Down**”.
2. **Remove Battery Door:** Remove the panel from the backplate or table stand and then use a small screwdriver to remove the plastic door covering the battery.



3. **Remove Battery:** Pull the fabric tab that is located under the battery to remove it from the panel.
4. **Install New Battery:** Install the new battery paying careful attention to polarity and being sure to place the fabric pull tab under the battery to make future removal easier.
5. Re-install Battery Door and screw, then remount to backplate or table stand.

CAUTION :

Do **NOT** use a screwdriver or anything sharp that could puncture the battery.